

maniek86.xyz

Sheet: /
File: prototype_pcb_6502.kicad_sch

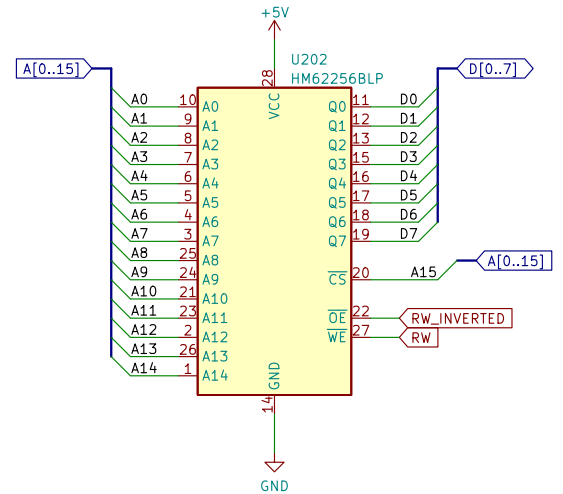
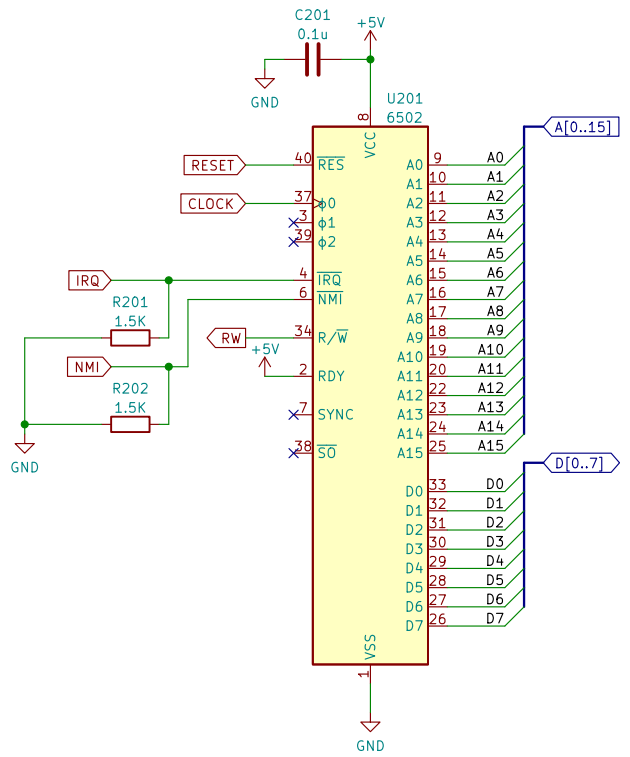
Title: Homebrew 6502 computer

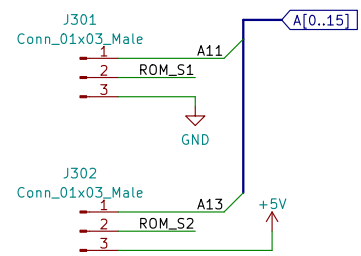
Size: A4 Date: 2023-10-21

KiCad E.D.A. kicad 6.0.11+dfsg-1

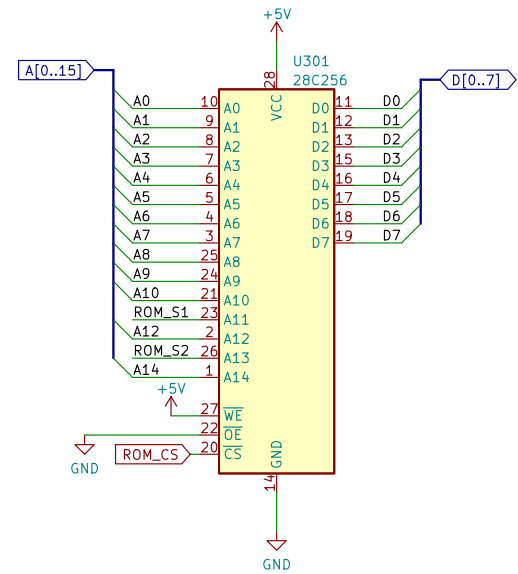
Rev:

Id: 1/9

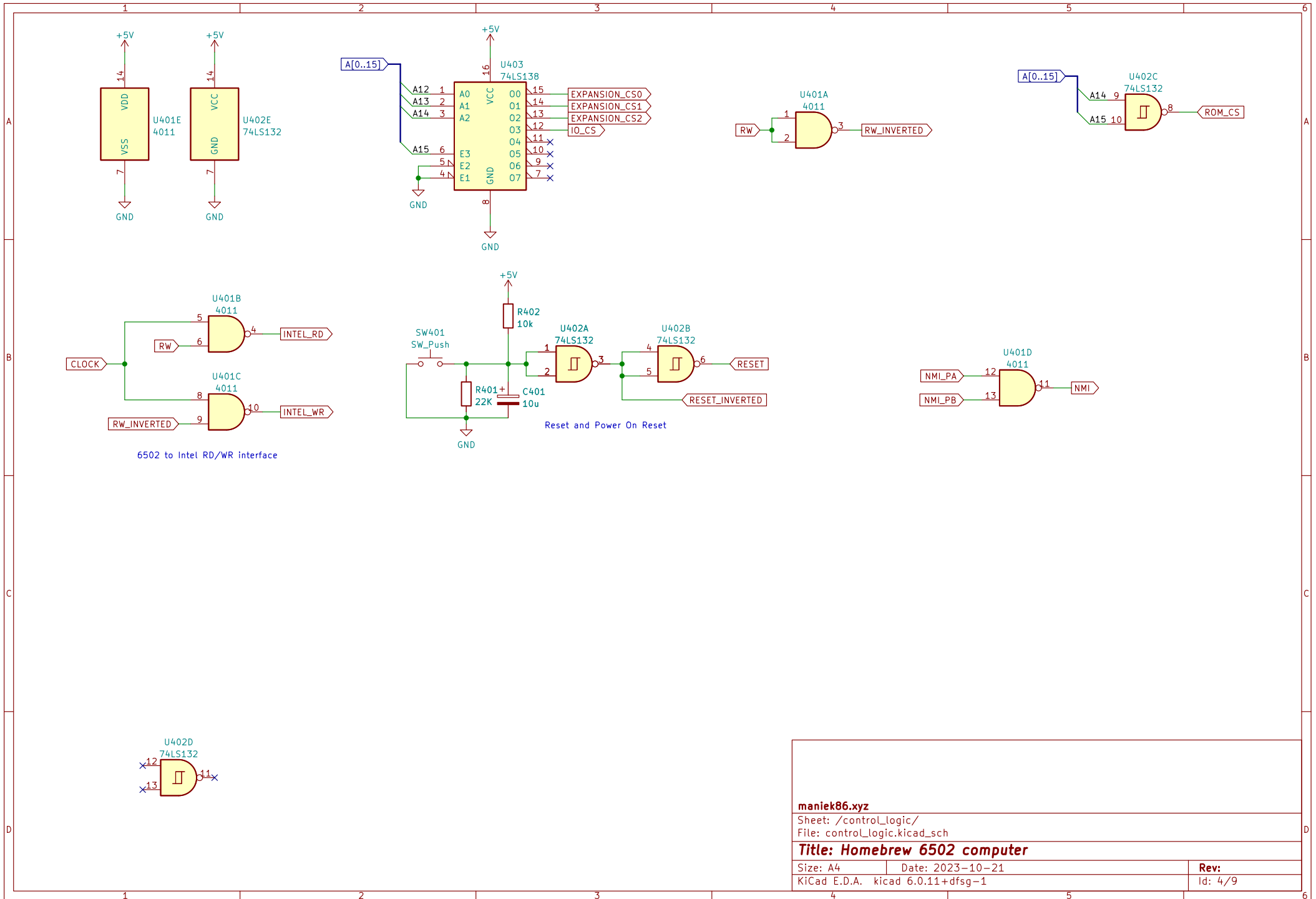


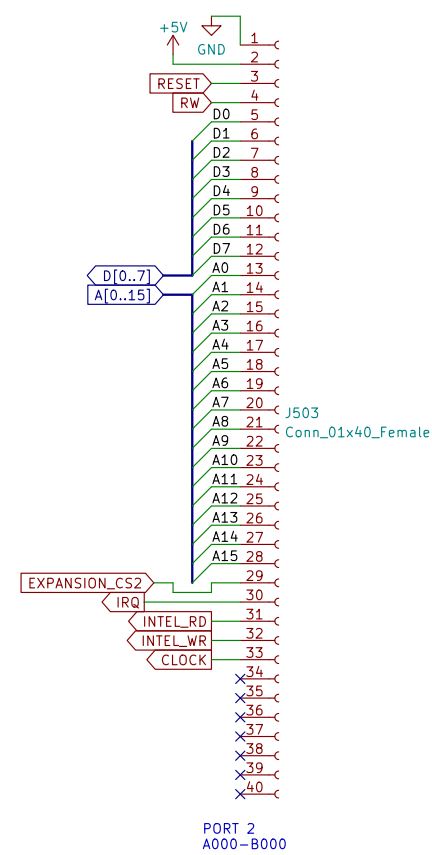
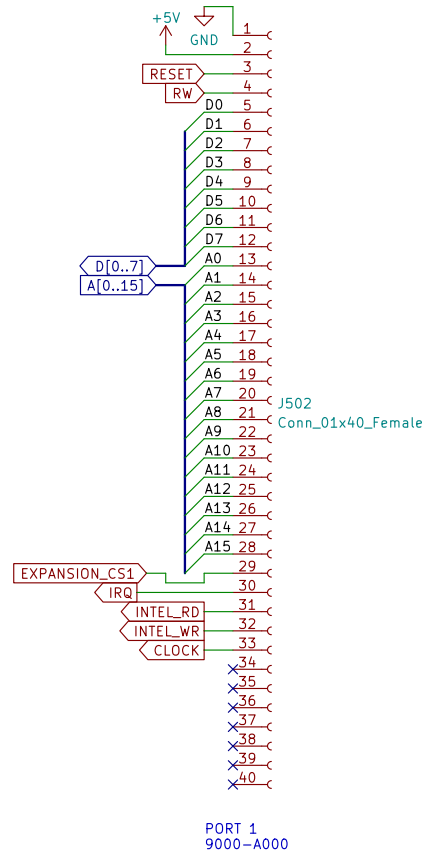
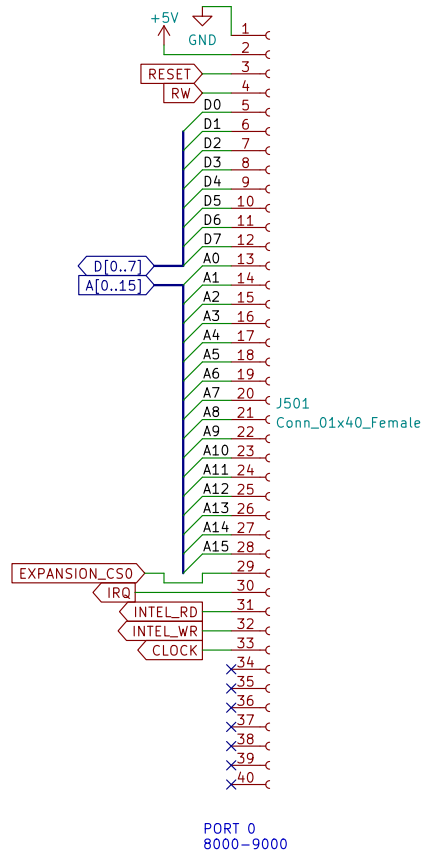


1-2 -> 28C256
2-3 -> 28C16



maniek86.xyz	
Sheet: /rom/	
File: rom.kicad_sch	
Title: Homebrew 6502 computer	
Size: A4	Date: 2023-10-21
KiCad E.D.A. kicad 6.0.11+dfsg-1	Rev: Id: 3/9





maniek86.xyz

Sheet: /expansion_ports/
File: expansion_ports.kicad_sch

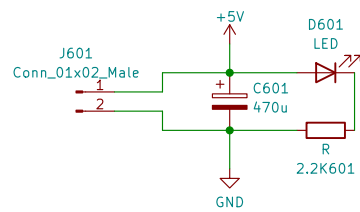
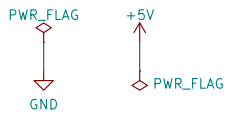
Title: Homebrew 6502 computer

Size: A4 Date: 2023-10-21

KiCad E.D.A. kicad 6.0.11+dfsg-1

Rev:

Id: 5/9



maniek86.xyz

Sheet: /power/

File: power.kicad_sch

Title: Homebrew 6502 computer

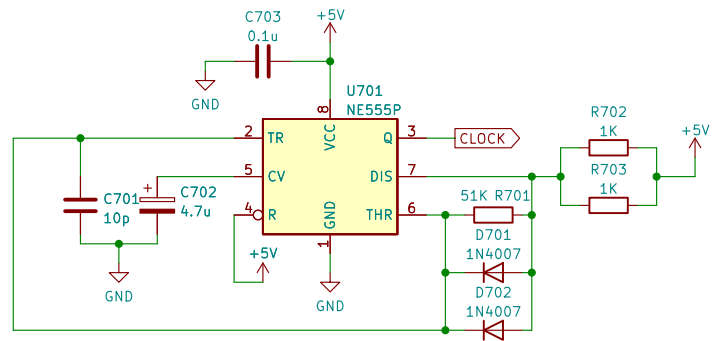
Size: A4

Date: 2023-10-21

Rev:

KiCad E.D.A. kicad 6.0.11+dfsg-1

Id: 6/9



maniek86.xyz

Sheet: /clock/

File: clock.kicad_sch

Title: Homebrew 6502 computer

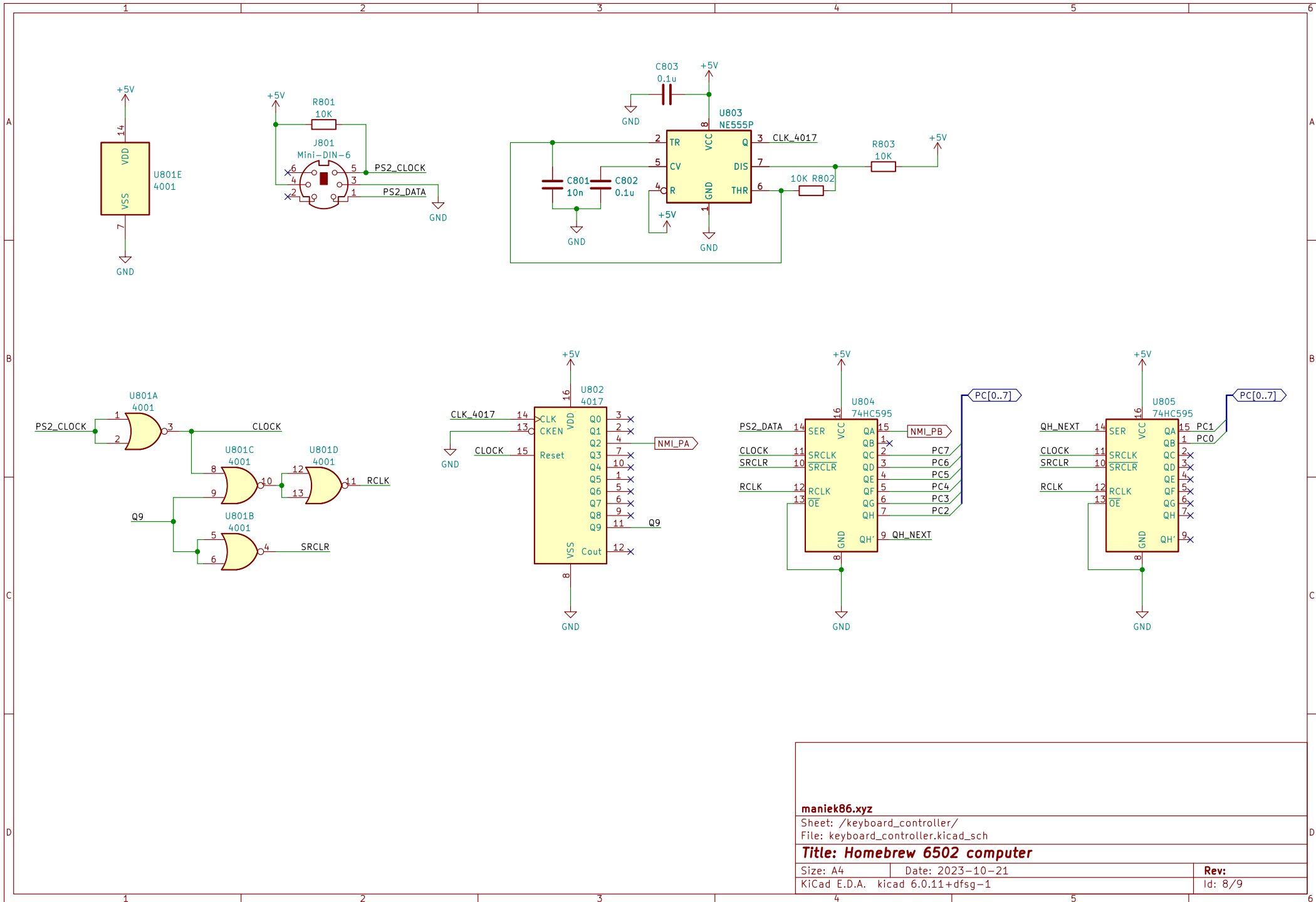
Size: A4

Date: 2023-10-21

Rev:

KiCad E.D.A. kicad 6.0.11+dfsg-1

Id: 7/9



maniek86.xyz

Sheet: /keyboard_controller/
File: keyboard_controller.kicad_sch

Title: Homebrew 6502 computer

Size: A4 Date: 2023-10-21

KiCad E.D.A. kicad 6.0.11+dfsg-1

Rev:

Id: 8/9

